

NOTES:
 1. THIS DRAWING SHOULD BE READ IN CONJUNCTION WITH THE SPAFLOW (UTILITIES) LTD REPORT DATED APRIL 2014.

LEGEND:

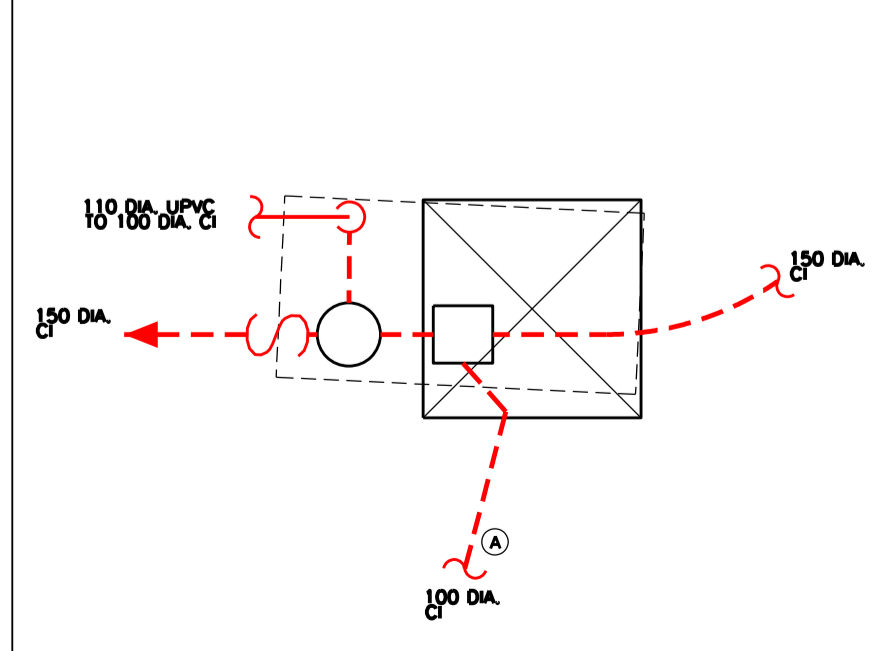
	BELOW GROUND (SURFACE WATER)
	BELOW GROUND (FOUL WATER)
	ABOVE GROUND (SURFACE WATER)
	ABOVE GROUND (FOUL WATER)

FH	FIRE HYDRANT	RWP	WASTE VENT PIPE
IV	ISOLATION VALVE	WVP	RAINWATER PIPE
WMT	WATER METER	SVP	SOIL VENT PIPE
GMT	GAS METER	VP	VENT PIPE
WM	RISING WATER MAIN	G	GULLY
GM	RISING GAS MAIN	RG	ROAD GULLY
GT	GREASE TRAP	OTG	OPEN TOP GULLY
CBP	CABLE PIT	STG	SEALED TOP GULLY
CP	CATCHPIT	BIG	BACK INLET GULLY
MH	MANHOLE	C.I.	CAST IRON
WHB	WASH HAND BASIN	Cu	COPPER
SK	SINK	V.C.	VITRIFIED CLAY
WC	WATER CLOSET	UPVC	UNPLASTICISED POLYVINYL CHLORIDE
UR	URINAL	PF	PITCH FIBRE
RE	RODDING EYE	F.A.	FROM ABOVE
RED.	REDUNDANT	T.A.	TO ABOVE
H/L	HIGH LEVEL	F.B.	FROM BELOW
M/L	MID LEVEL	T.B.	TO BELOW
L/L	LOW LEVEL		

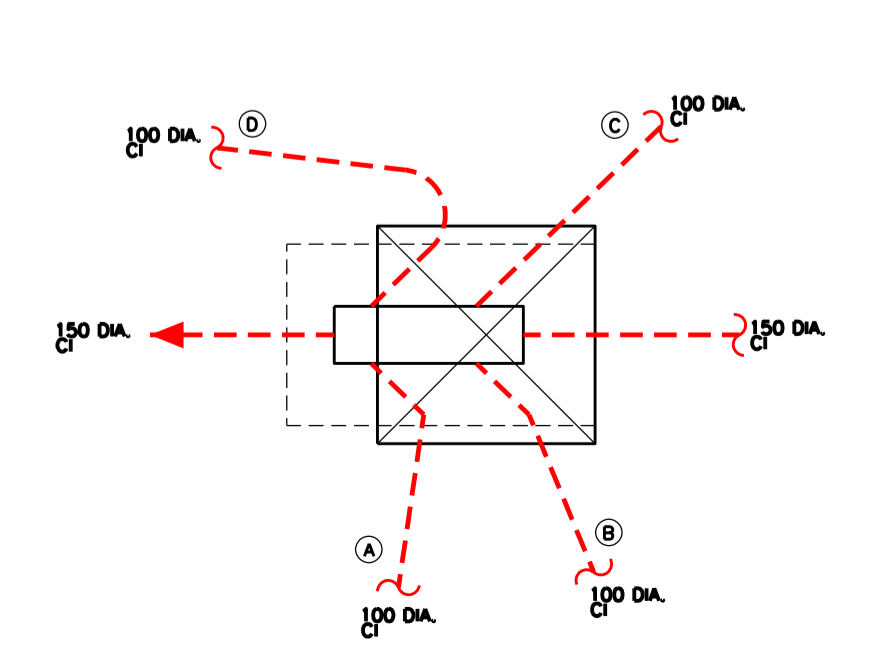
ADJACENT PREMISES

REV.	DATE	DESCRIPTION	BY	APP.

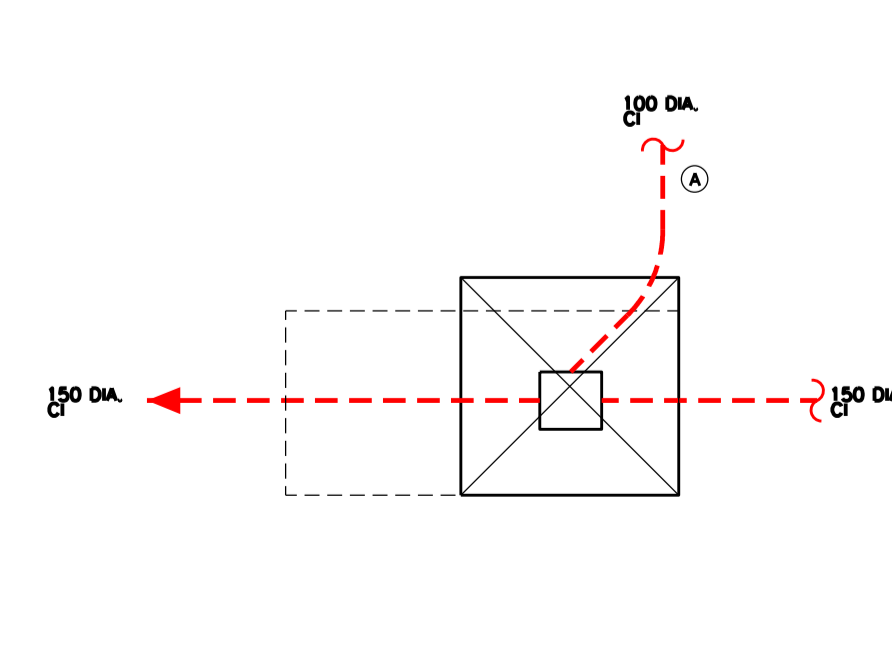
MH1
 C/S 720 x 720 GALV MS INFILL
 C/O 605 x 605
 CH/S 1190 x 600
 C.L. -
 INLET 1060
 OUTLET 1070
 CONST CONCRETE
 COND GOOD
 SEAL DOUBLE
 NOTES 1 No. NUT MISSING FROM INTERCEPTOR TRAP PLATE.



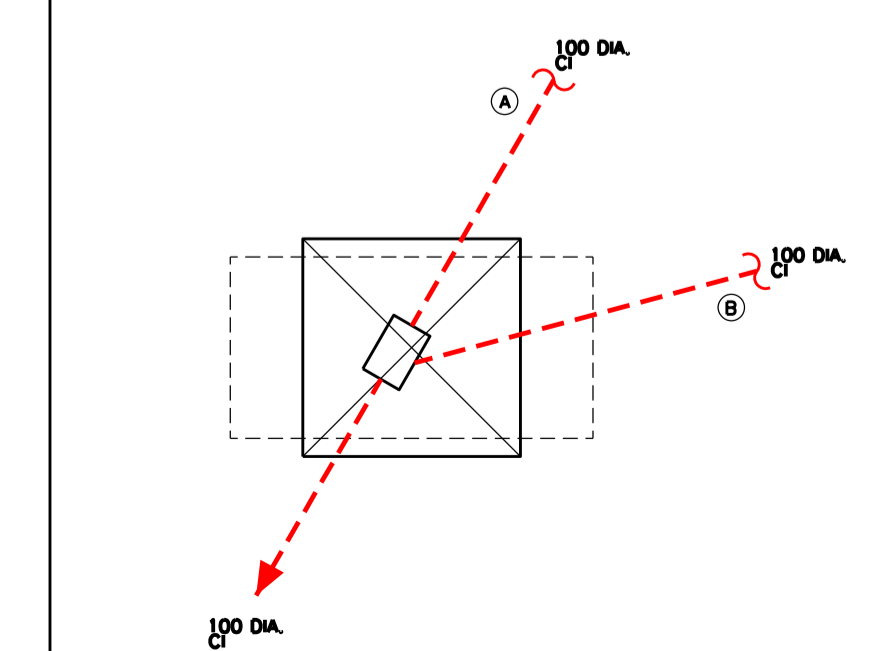
MH2
 C/S 720 x 720 GALV MS INFILL
 C/O 605 x 605
 CH/S 1020 x 600
 C.L. -
 INLET 970
 OUTLET 980
 CONST CONCRETE
 COND GOOD
 SEAL DOUBLE
 NOTES -



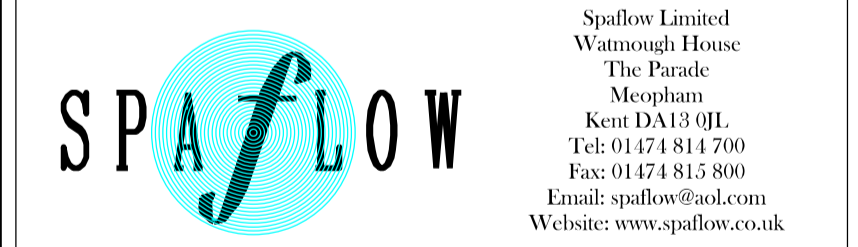
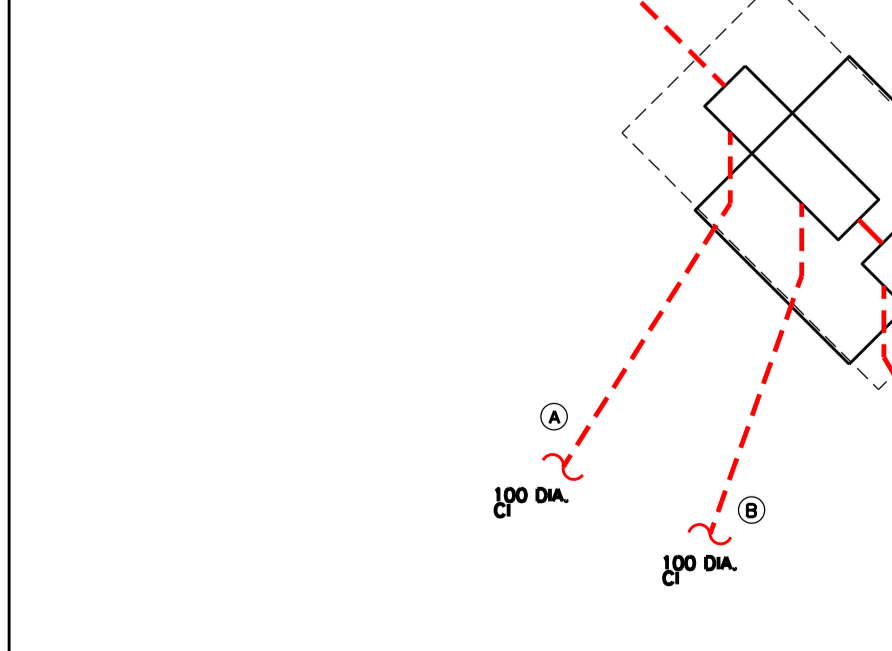
MH3
 C/S 720 x 720 GALV MS INFILL
 C/O 605 x 605
 CH/S 1300 x 610
 C.L. -
 INLET 735
 OUTLET 745
 CONST CONCRETE
 COND GOOD
 SEAL DOUBLE
 NOTES 1 No. COVER BOLT MISSING.



MH4
 C/S 720 x 720 GALV MS INFILL
 C/O 605 x 605
 CH/S 1200 x 600
 C.L. -
 INLET 545
 OUTLET 555
 CONST CONCRETE
 COND GOOD
 SEAL DOUBLE
 NOTES -



MH5
 C/S 720 x 720 GALV MS INFILL
 C/O 605 x 605
 CH/S 1200 x 700
 C.L. -
 INLET 660
 OUTLET 670
 CONST CONCRETE
 COND GOOD
 SEAL DOUBLE
 NOTES -



COPYRIGHT: © Spaflow (Utilities) Limited 2013
 NEITHER THIS DRAWING NOR ANY OF THE INFORMATION IT CONTAINS MAY BE COPIED OR COMMUNICATED TO THIRD PARTIES WITHOUT WRITTEN PERMISSION
 CLIENT:

CLIENT NAME

PROJECT:
 PROJECT NAME/ADDRESS

TITLE:
 RECORD OF CCTV SURVEY OF DRAINAGE BASEMENT LEVEL

DRAWN: SWW	DATE: APR 14	SCALE: NTS
CHECKED: DWH	APPROVED: DWH	
CLIENT DRG. No:	CAD O.A.:	PLOT SIZE:
MICROFILM REF:	SHEET:	DRG. No: PH01